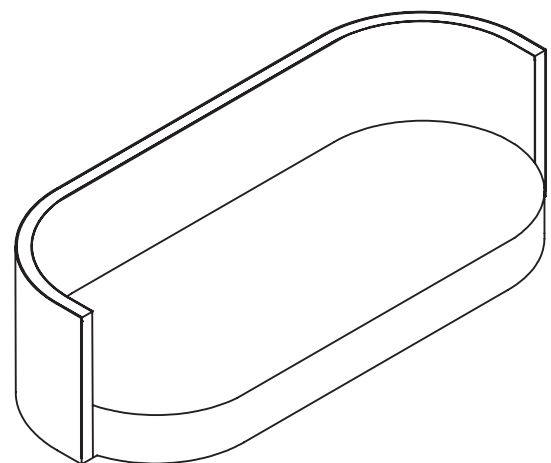
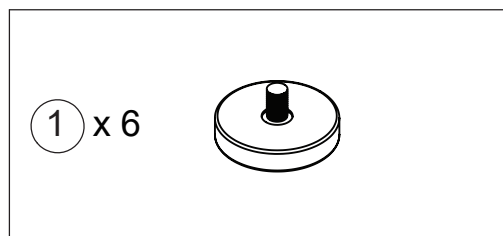


068008



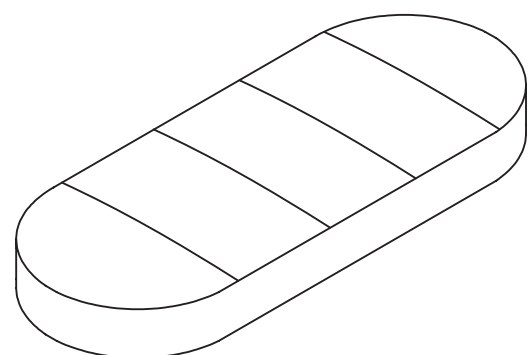
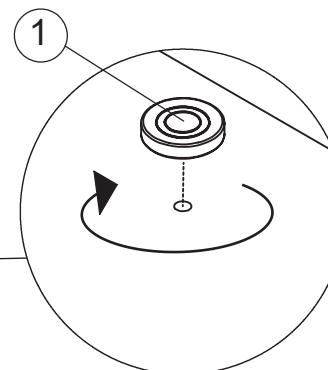
A x 1

1

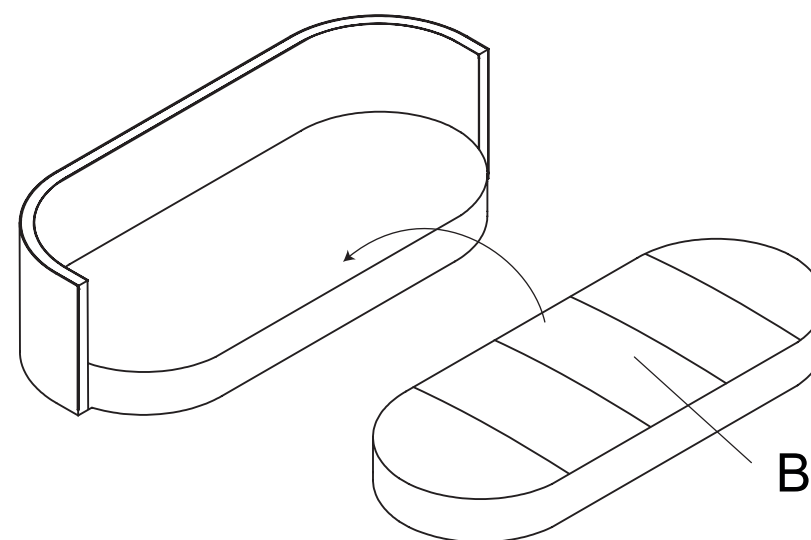
1 x 6



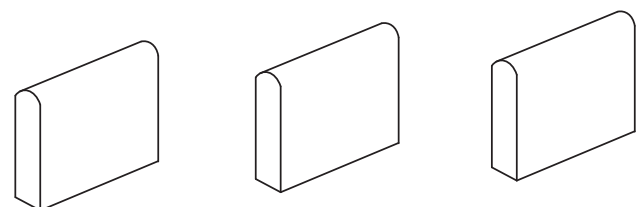
A



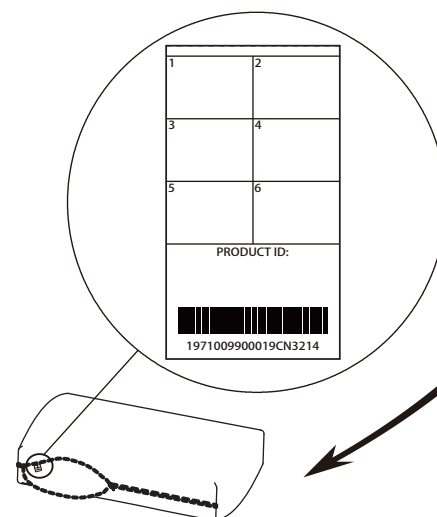
B x 1



B



C x 3



1	2
3	4
5	6

PRODUCT ID:  
1971009900019CN3214

